

26"

Item Number:

- 147-114-V26-AQB
- 147-114-V26-BNM
- 147-114-V26-COK
- 147-114-V26-CWH
- 147-114-V26-WCH

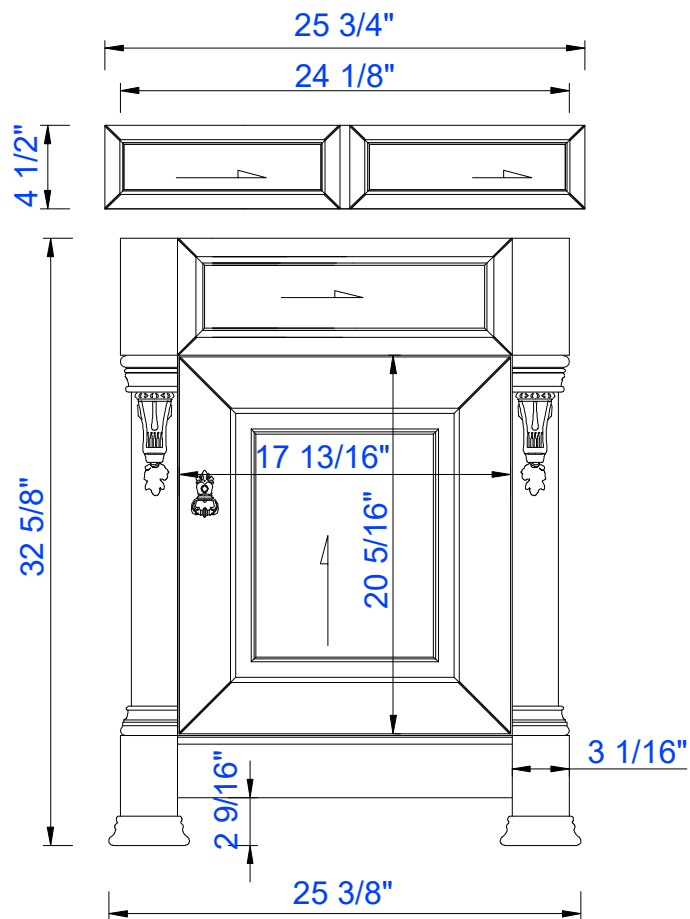
JAMES MARTIN



VANITIES™

Brookfield 26" Cabinet

Diagrams with Dimensions
page 01 of 03



NOTE ONE: Countertops are not shown in these diagrams. (Cabinet Only)

NOTE TWO: Wooden Backsplash (Shown) is designed for the molding detail to align with sinks in James Martin's Optional Countertops.

Customers' own countertops and sinks may align differently.

Please consult our website for Countertop Diagrams: www.jamesmartinvanities.com

26"

Item Number:

- 147-114-V26-AQB
- 147-114-V26-BNM
- 147-114-V26-COK
- 147-114-V26-CWH
- 147-114-V26-WCH

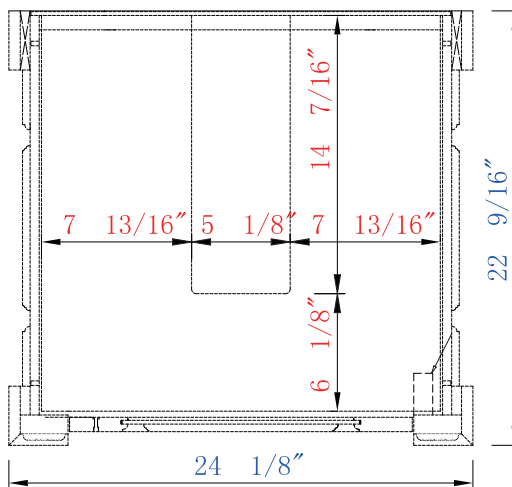
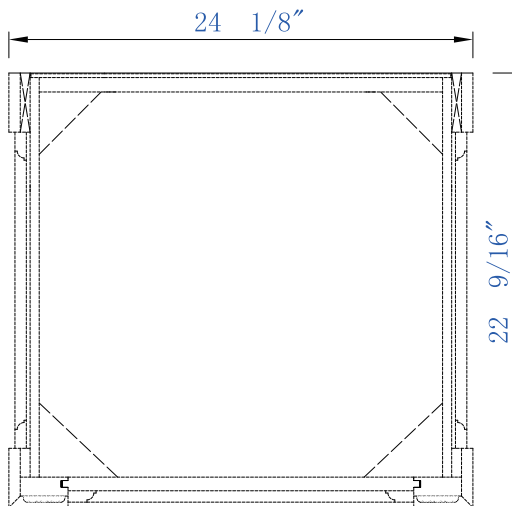
JAMES MARTIN



VANITIES™

Brookfield 26" Cabinet

Diagrams with Dimensions
page 02 of 03



NOTE ONE: Countertops are not shown in these diagrams. (Cabinet Only)

NOTE TWO: Internal Shelves (Shown) are designed to align with sinks in James Martin's Optional Countertops. Customers' own countertops and sinks may align differently, and modification may be required. Please consult our website for Countertop Diagrams: www.jamesmartinvanities.com

26"

Item Number:

- 147-114-V26-AQB
- 147-114-V26-BNM
- 147-114-V26-COK
- 147-114-V26-CWH
- 147-114-V26-WCH

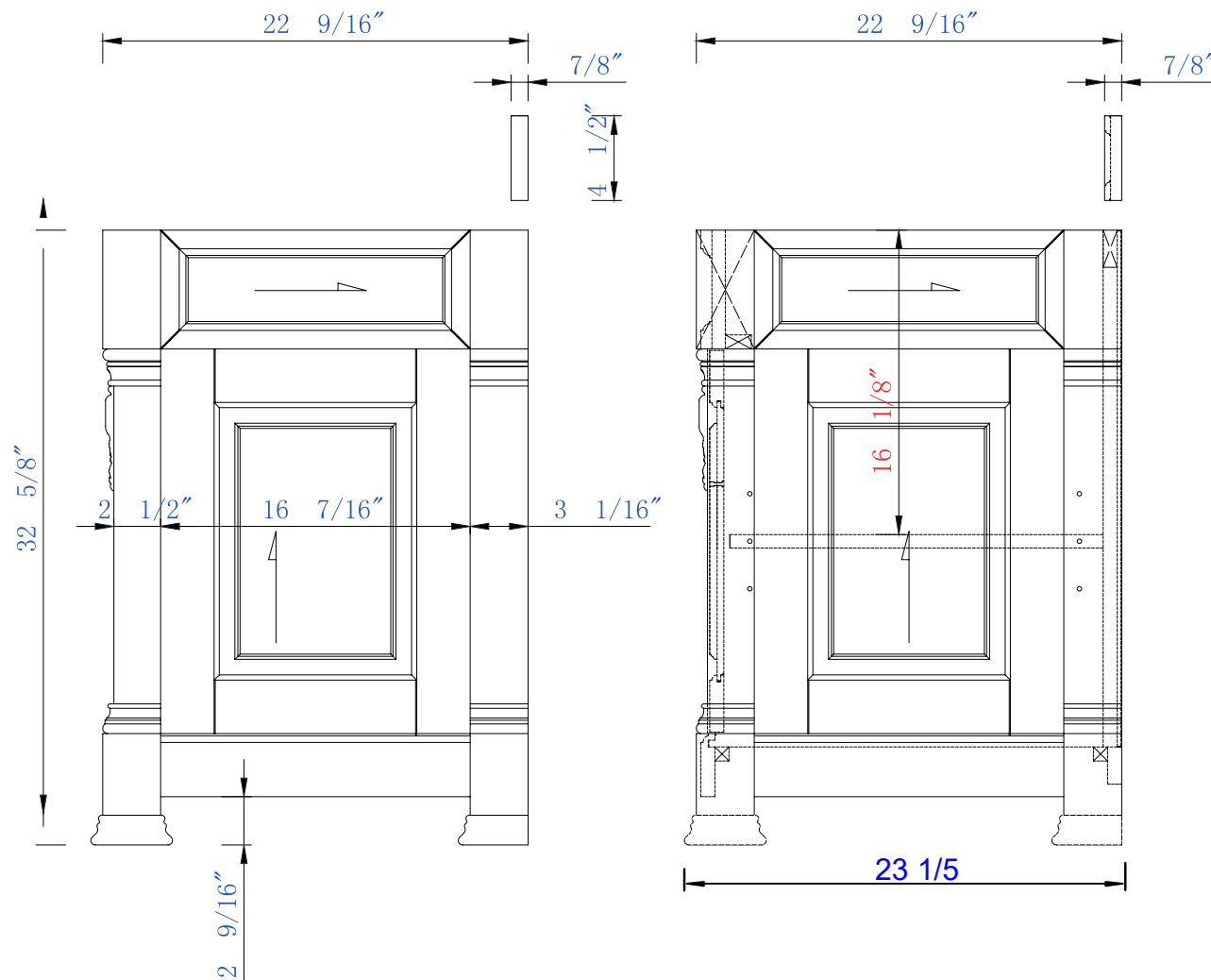
JAMES MARTIN



VANITIES™

Brookfield 26" Cabinet

Diagrams with Dimensions
page 03 of 03



NOTE ONE: Countertops are not shown in these diagrams. (Cabinet Only)

NOTE TWO: Wooden Backsplash (Shown) is designed for the molding detail to align with sinks in James Martin's Optional Countertops.

Customers' own countertops and sinks may align differently.

Please consult our website for Countertop Diagrams: www.jamesmartinvanities.com

Item Number:

- 147-114-V26-AQB
- 147-114-V26-BNM
- 147-114-V26-COK
- 147-114-V26-CWH
- 147-114-V26-WCH

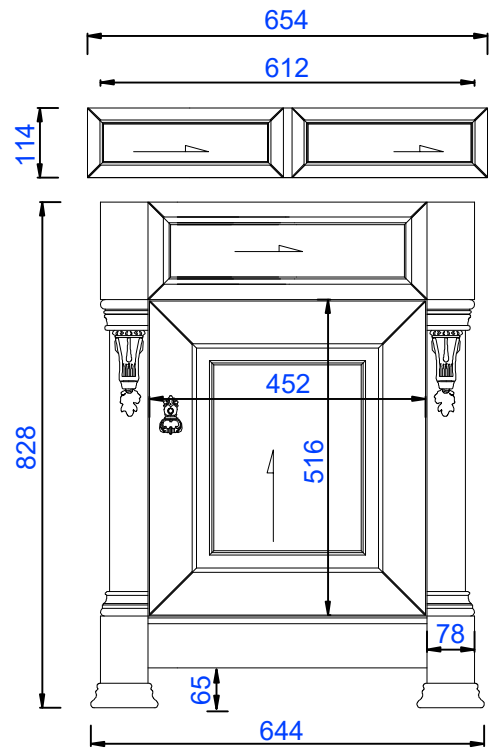
JAMES MARTIN



VANITIES™

Brookfield 660mm Cabinet

Diagrams with Dimensions
page 01 of 03



NOTE ONE: Countertops are not shown in these diagrams. (Cabinet Only)

NOTE TWO: Wooden Backsplash (Shown) is designed for the molding detail to align with sinks in James Martin's Optional Countertops.

Customers' own countertops and sinks may align differently.

Please consult our website for Countertop Diagrams: www.jamesmartinvanities.com

660mm

Item Number:

- 147-114-V26-AQB
- 147-114-V26-BNM
- 147-114-V26-COK
- 147-114-V26-CWH
- 147-114-V26-WCH

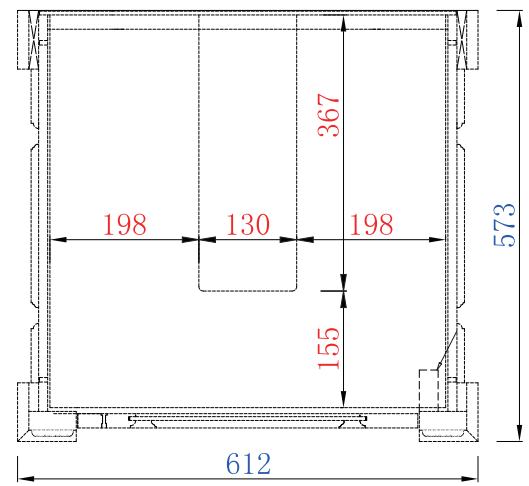
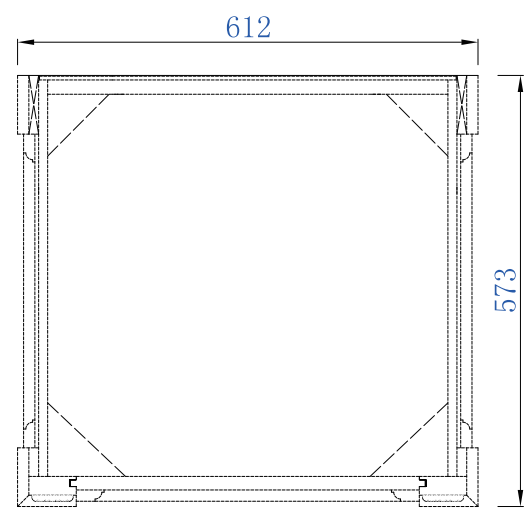
JAMES MARTIN



VANITIES™

Brookfield 660mm Cabinet

Diagrams with Dimensions
page 02 of 03



NOTE ONE: Countertops are not shown in these diagrams. (Cabinet Only)

NOTE TWO: Wooden Backsplash (Shown) is designed for the molding detail to align with sinks in James Martin's Optional Countertops.

Customers' own countertops and sinks may align differently, and modification may be required.

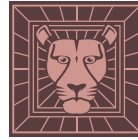
Please consult our website for Countertop Diagrams: www.jamesmartinvanities.com

660mm

Item Number:

- 147-114-V26-AQB
- 147-114-V26-BNM
- 147-114-V26-COK
- 147-114-V26-CWH
- 147-114-V26-WCH

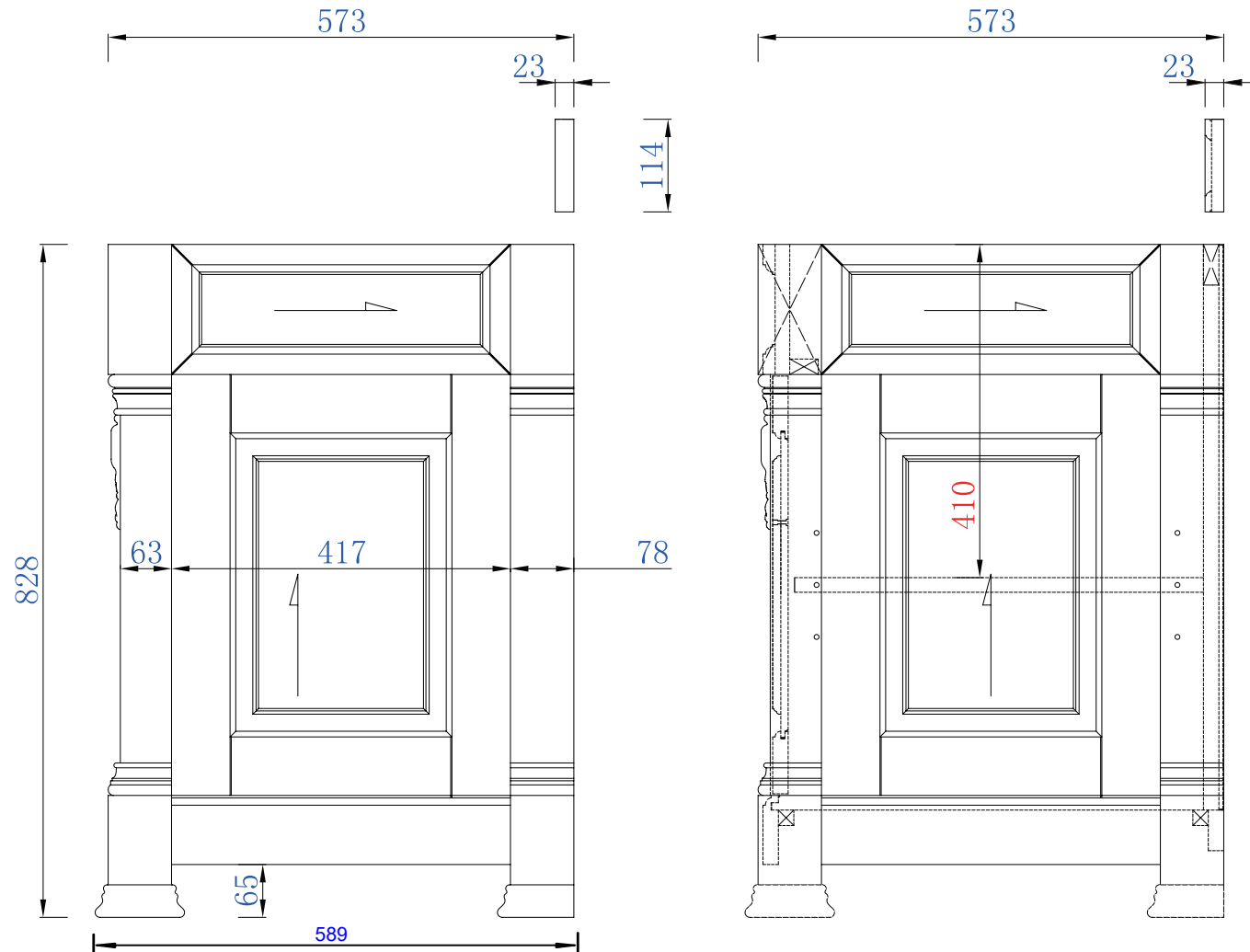
JAMES MARTIN



VANITIES™

Brookfield 660mm Cabinet

Diagrams with Dimensions
page 03 of 03



NOTE ONE: Countertops are not shown in these diagrams. (Cabinet Only)

NOTE TWO: Wooden Backsplash (Shown) is designed for the molding detail to align with sinks in James Martin's Optional Countertops. Customers' own countertops and sinks may align differently.

Please consult our website for Countertop Diagrams: www.jamesmartinvanities.com